

2/2-way valves DN 8 to DN 50

For slightly aggressive gases and liquid fluids

Indirectly solenoid actuated

Diaphragm valves

Internal threads G 1/4 to G 2 or 1/4 NPT to 2 NPT

Operating pressure 0.1 to 16 bar

**Stainless
Steel**

82730

82740

Click-on[®]



Description (standard valve)

Solenoid valve for e.g. slightly aggressive gases and liquids

Switching function:	normally closed
Flow direction:	determined
Differential pressure:	0.1 bar required (0.3 bar for EPDM)
Fluid temperature:	-10 °C up to max. +90 °C
Ambient temperature:	-10 °C up to max. +50 °C
Mounting position:	optional, preferably solenoid vertical on top

Material

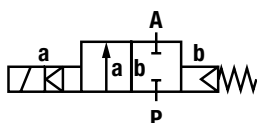
Body:	Stainless steel (1.4408)
Seat seal:	NBR
Internal parts:	Stainless steel, PVDF

For contaminated fluids insertion of a strainer is recommended (see **Buschjost** - accessories).

Features

- High flow rate
- Damped operation
- Functional compact design
- Solenoid interchangeable without tools (**Click-on[®]**)

Symbol



Bestellinformation

To order, quote model number from table overleaf, e. g. 8273400.9101 for a DN 25 valve.

Characteristic data

Valves

Part Number	Nominal Diameter (mm)	Connection size	Operating pressure *		Overall length (mm)	k _v -value ** (Base m ³ /h)	Weight (kg)
			min. (bar)	max. (bar)			
8273000.9101 8274000.9101	8	G 1/4 1/4 NPT	0,1	16	60	1,9	0,47
8273100.9101 8274100.9101	10	G 3/8 3/8 NPT	0,1	16	60	3,0	0,45
8273200.9101 8274200.9101	12	G 1/2 1/2 NPT	0,1	16	67	3,8	0,50
8273300.9101 8274300.9101	20	G 3/4 3/4 NPT	0,1	16	80	6,1	0,65
8273400.9101 8274400.9101	25	G 1 1 NPT	0,1	16	95	9,5	0,95
8273500.9101 8274500.9101	32	G 1 1/4 1 1/4 NPT	0,1	10	132	23,0	2,60
8273500.9151 8274500.9151	32	G 1 1/4 1 1/4 NPT	0,1	16	132	23,0	2,84
8273600.9101 8274600.9101	40	G 1 1/2 1 1/2 NPT	0,1	10	132	25,0	2,42
8273600.9151 8274600.9151	40	G 1 1/2 1 1/2 NPT	0,1	16	132	25,0	2,66
8273700.9101 8274700.9101	50	G 2 2 NPT	0,1	10	160	41,0	3,62
8273700.9151 8274700.9151	50	G 2 2 NPT	0,1	16	160	41,0	3,86

* with gases and liquid fluids up to 25 mm²/s (cSt)

** Cv-value (US) ≈ kv-value x 1.2

State voltage [V] and frequency [Hz]

Solenoid 9101 / 9151

Standard voltages

DC ===	AC ~ 50 Hz	AC ~ 60 Hz
24 V	24 V	–
–	110 V	120 V
–	230 V	220 V

Design acc. to DIN VDE 0580

Voltage range ±10 %

100 % duty cycle

Protection class acc. to EN 60529 IP65

Socket acc. to DIN EN 175301-803 (included)

Attention! Standard core tube with copper shading coil

Look for fluid resistant further options

Options (Valves)

XXXXX01.XXXX Normally open (NO)

XXXXX02.XXXX Manual override

XXXXX03.XXXX Seat seal FPM,
max. fluid temperature +110 °C

XXXXX14.XXXX Seat seal EPDM, for hot water,
max. fluid temperature +110 °C;
0.3 to 16 bar up to DN 25

XXXXX81.XXXX Core tube stainless steel,
Seat seal FPM,
max. fluid temperature +110 °C,
for AC voltage: solenoid with rectifier

On request

Further versions

Power Consumption

According to DIN VDE 0580 at coil temperature of +20 °C. In operation the power consumption of the solenoid decreases by approx. 30 %.

Solenoid	DC ===	AC ~	
		Inrush	Holding
9101 *	8 W	15 VA	12 VA / 7 W
9151 *	18 W	45 VA	35 VA / 17 W

*  Coil only

Attention!

The conditions imposed on the Ex approvals lead to reduction of the permissible standard temperatures ranges in the case of explosion protected solenoids.

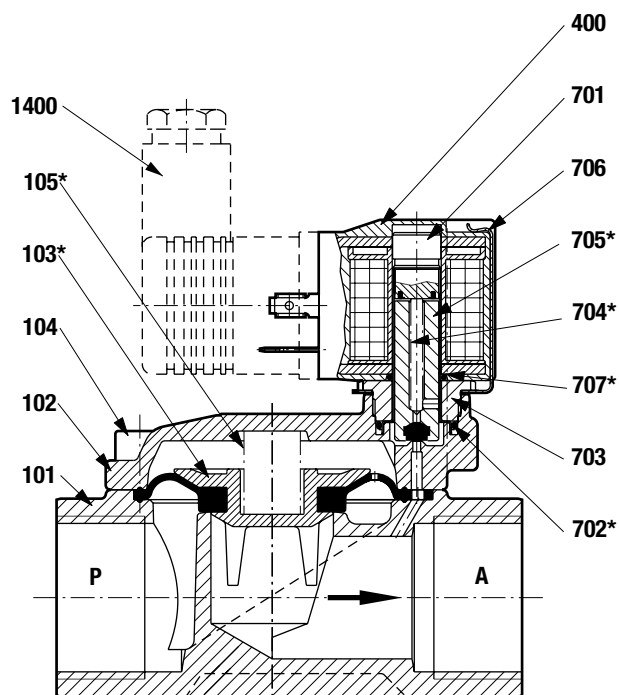
Options (Solenoids)

XXXXXXXX.9136 Solenoid in protection class
⊕ II 2 GD EEx m II T4 T 130 °C,
with 3 m connection cable, for AC/DC

On request

Further versions

Section view

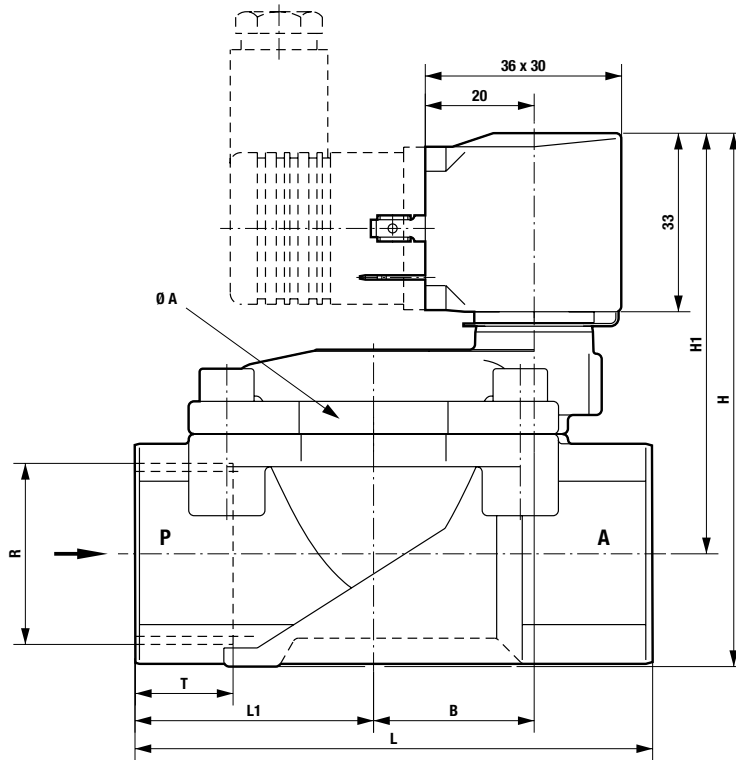


- 101 Valve body
- 102 Valve cover
- *103 Diaphragm
- 104 Allen head screw
- *105 Pressure spring
- 400 Solenoid
- 701 Core tube
- *702 O-ring
- 703 Screw piece
- *704 Pressure spring
- *705 Plunger
- 706 Spring clip
- *707 O-ring
- 1400 Electrical connector (included)

*These individual parts form a complete wearing unit.
When ordering spare parts state Cat No and Series No.

General Dimensions

Solenoid rotatable 360°
 Socket turnable 4 x 90°
 (Socket included)



Part Number	Nominal Diameter (mm)	Port Size	L (mm)	B (mm)	H (mm)	H1 (mm)
8273000.9101 8274000.9101	8	G 1/4 1/4 NPT	60	44	78.5	67.0
8273100.9101 8274000.9101	10	G 3/8 3/8 NPT	60	44	78.5	67.0
8273200.9101 8274300.9101	12	G 1/2 1/2 NPT	67	44	81.0	67.0
8273300.9101 8274300.9101	20	G 3/4 3/4 NPT	80	50	88.0	71.5
8273400.9101 8274400.9101	25	G 1 1 NPT	95	62	97.5	77.0
8273500.9101 8274500.9101	32	G 1 1/4 1 1/4 NPT	132	92	124.5	95.5
8273500.9151 8274500.9151	32	G 1 1/4 1 1/4 NPT	132	92	142	113
8273600.9101 8274600.9101	40	G 1 1/2 1 1/2 NPT	132	92	124.5	95.5
8273600.9151 8274600.9151	40	G 1 1/2 1 1/2 NPT	132	92	142	113
8273700.9101 8274700.9101	50	G 2 2 NPT	160	109	124.5	108.0
8273700.9151 8274700.9151	50	G 2 2 NPT	160	109	160	125.5

Note to Pressure Equipment Directive (PED):

The valves of this series are according to Art. 3 § 3 of the Pressure Equipment Directive (PED) 97/23/EG. This means interpretation and production are in accordance to engineers practice wellknown in the member countries. The CE-sign at the valve does not refer to the PED. Thus the declaration of conformitv is not loncaer applicble for this directive.

Note to Electromagnetic Compatibility Guideline (EEC):

The valves shall be provided with an electrical circuit which ensures the limits of the harmoniised standards EN 61000-6-3 and EN 61000-6-1 are observed, and hence the requirements of the Electromagnetic Guideline (2004/108/EC) satisfied.