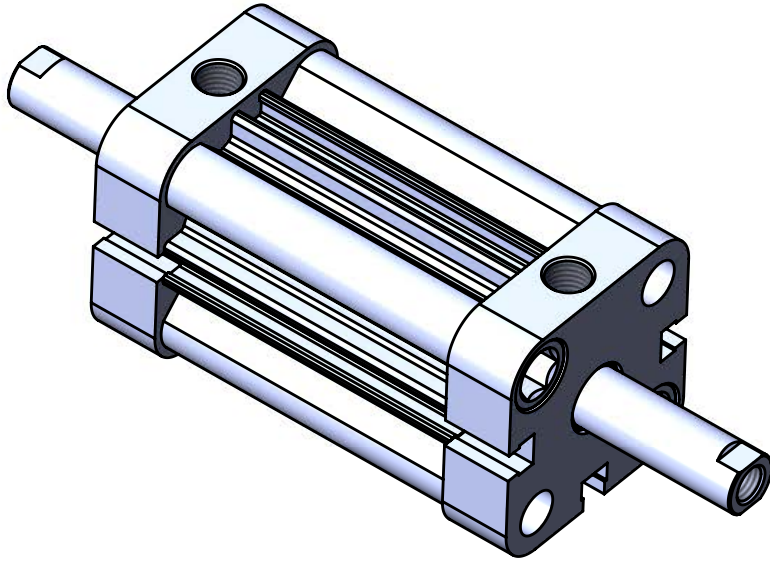
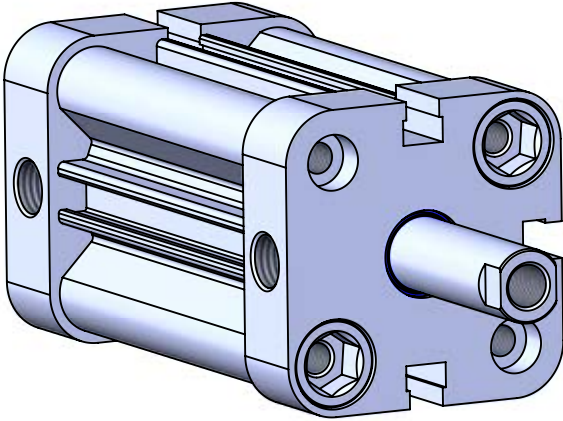


**COMPACT ISO 21287
PNEUMATIC CYLINDERS
KCD-A SERIES Ø32- Ø100**



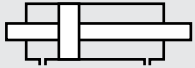


KCD-A SERIES

COMPACT - Ø32 - Ø100 - ISO 21287

COMPACT CYLINDER
WITH MAGNET AND DOUBLE ROD

POSSIBILITY FOR DOUBLE
DIRECTION RUN WITH IDENTITY
STROKES COMPACT DIMENSION



KCD: COMPACT CYLINDERS WITH
DOUBLE ACTING WITH DOUBLE
ROD



KCD-A: COMPACT MAGNETIC
CYLINDERS WITH DOUBLE ACTING
WITH DOUBLE ROD

Example of order:

KCD-A

Product code

032-050

Cylinder Ø Stroke

M1 M3

Variants from
Standard System

Variants from standart system:

- R1 : Stainless Steel Piston Rod (SS 304-SS 316)
- R4 : Stainless Steel Nut for Piston Rod (SS 304)
- R5: Piston Rod as CK45 (Hard Chrome Plated)
- M1: Extended male Piston Rod Thread
- M3: Special Piston Rod Thread
- M4: Extended Piston Rod
- K1: Seals for Max. 150°C (Viton)
- K4: Piston Rod Seal Viton

Force:

Cylinder Ø mm	Rod Ø mm	Thrust and traction forces (6 Bar)	
		Thrust forces (N)	Traction force (N)
32	12	415	415
40	12	687	687
50	16	1058	1058
63	16	1750	1750
80	20	2829	2829
100	20	4522	4522

Working Fluid:

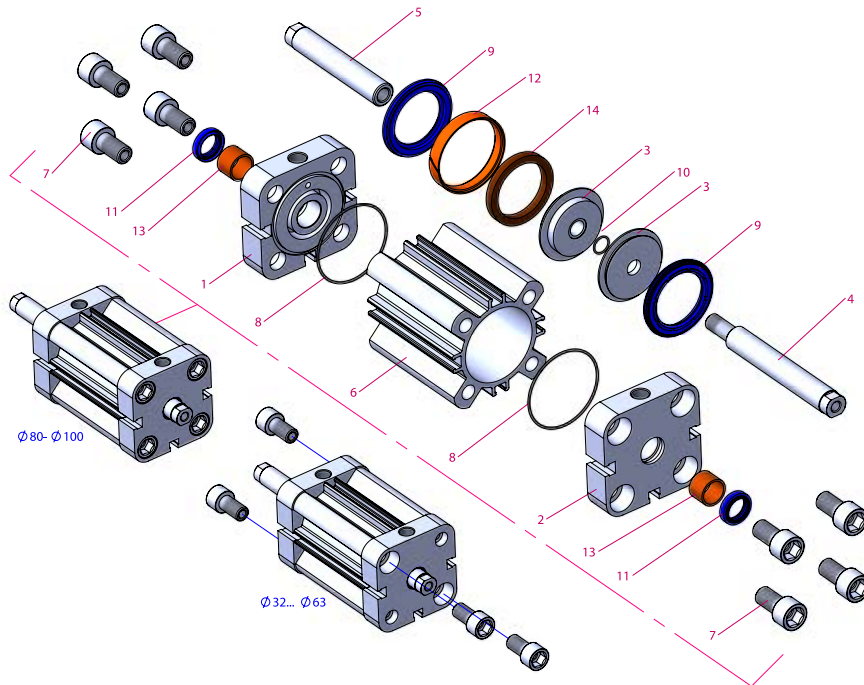
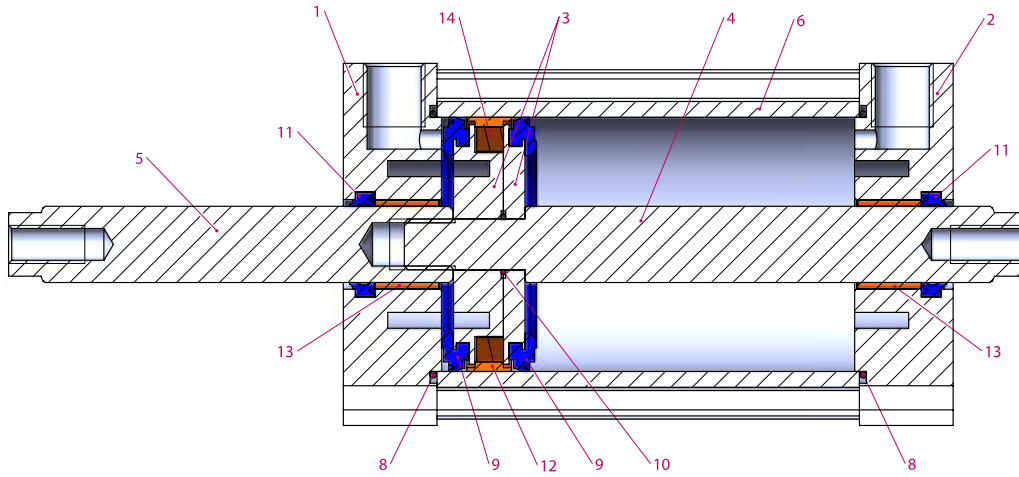
Filtered and lubricated or filtered and
not lubricated air.

Operating Temperature Range:

Polyurethane (PU) : (-20°C) - (+80°C)
Viton (FKM) : (-30°C) - (+150°C)

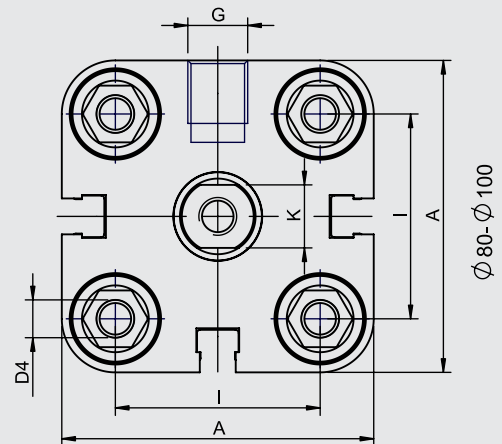
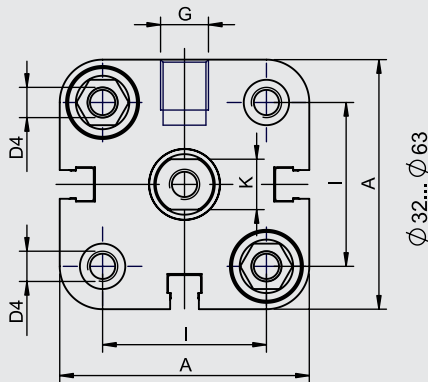
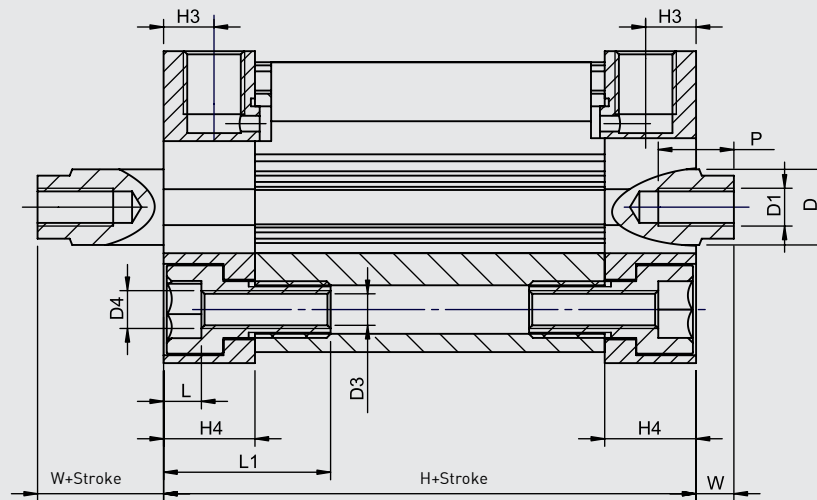
Maximum work pressure:

10 Bar

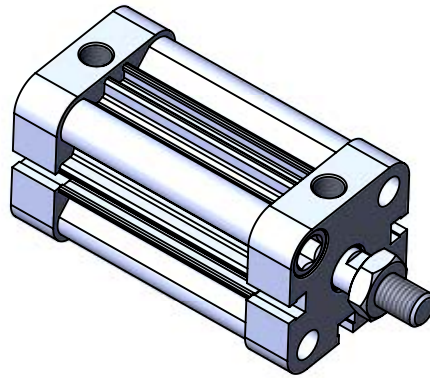


No	Material name	Characteristic	Pc.
1	Head	Aluminium	1
2	Head	Aluminium	1
3	Middle Piston	Aluminium	2
4	Male Piston Rod	X20Cr13 Hard Chrome Plated	1
5	Female Piston Rod	X20Cr13 Hard Chrome Plated	1
6	Tube	Al Mg Si 0,5 + Eloxal Plated	1
7	Bolt	SS 303	4-8
8	Head O-ring	NBR	2
9	Piston Seal	PU	2
10	Middle Piston O-ring	NBR	1

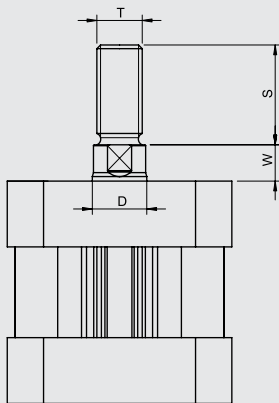
No	Material name	Characteristic	Pc.
11	Rod Seal	PU	2
12	Guiding Band	Polyacetal	1
13	Guiding Bush	CSB-40	2
14	Magnet		1



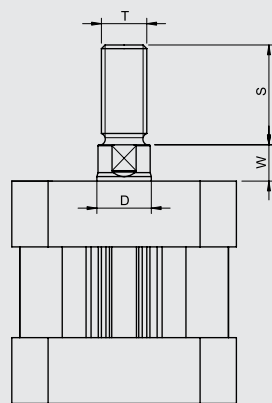
Cylinder Ø mm	A	D Ø	D1 Ø	D3 Ø	D4 Ø	G	H	H3	H4	I	K	L	L1	P	W
32	49.5	12	M8	5.2	M6	1/8"	44.5	7,5	14.5	32.5	10	6	26.5	12	7
40	57	12	M8	5.2	M6	1/8"	46	7,5	14.75	38	10	6	26.5	12	7
50	65.5	16	M10	6.8	M8	1/8"	46.5	7,5	14.75	46.5	13	7	30.5	16	8
63	79.5	16	M10	6.8	M8	1/8"	50	7,5	14.75	56.5	13	7	30.5	16	8
80	96	20	M12	8.5	M10	1/8"	56.5	8,25	16.5	72	17	8.7	38.5	20	10
100	116	20	M12	8.5	M10	1/8"	67	10	19.75	89	17	8.7	38.5	24	10



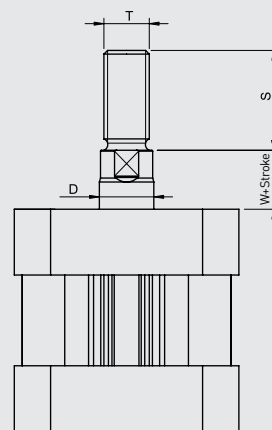
KC-T



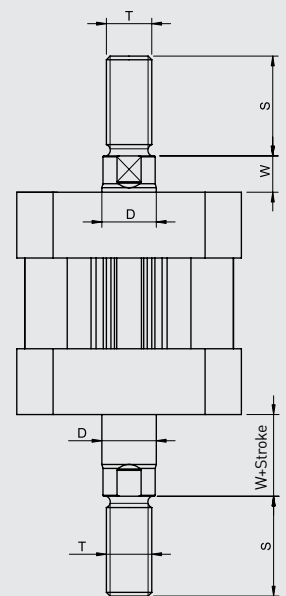
KCS-T



KCE-T



KCD-T



Cylinder type	Cylinder Ø mm	D	S	T	W
KC-KCS KCE-KCD	32	12	19	M10x1.25	7
	40	12	19	M10x1.25	7
	50	16	22	M12x1.25	8
	63	16	22	M12x1.25	8
	80	20	28	M16x1.5	10
	100	20	32	M16x1.5	10